



www.mtm-group.it

www.aspiratorieolicimotorizzati.it

ElectroAspiroMatic®

Mod.240BQ-INOX

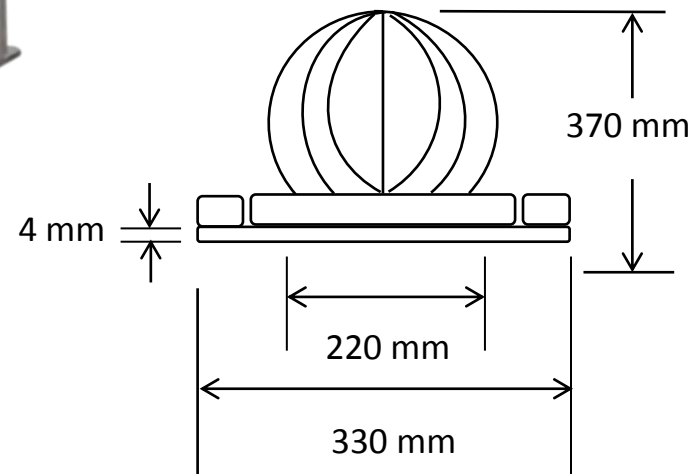


Supply box



AIR EXCHANGE
HOT SMOKE

- Die cast aluminum structure
- Stainless steel impeller
- Impeller bearing immersed in oil
- Hot smoke aspiration up to 250° 1 h
- Weight kg 5.
- **CE** Marking



m ³ /h	V.AC	Watt	IP	Noise level
-------------------	------	------	----	-------------

300	90/264	24	65	35dB
-----	--------	----	----	------

PATENT
PENDING