



www.mtm-group.it

www.aspiratorieolicimotorizzati.it

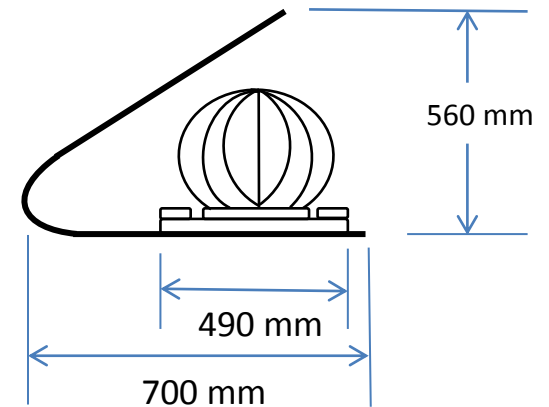
ElectroAspiroMatic®

Mod.240FTV-INOX

AIR EXCHANGE
HOT SMOKE



- Die cast aluminum structure
- Panel tubular frame in stainless steel
- Stainless steel impeller
- Impeller bearing immersed in oil
- Hot smoke aspiration up to 250° 1 h
- Monocrystalline silicon photovoltaic module
- Weight kg 20
- **CE** Marking



m ³ /h	V.cc	Watt	IP	Noise level
300	24	—	65	35dB

PATENT
PENDING