



www.aspiratorieolicimotorizzati.it

ElectroAspiroMatic®

www.mtm-group.it

Mod.240BR-INOX

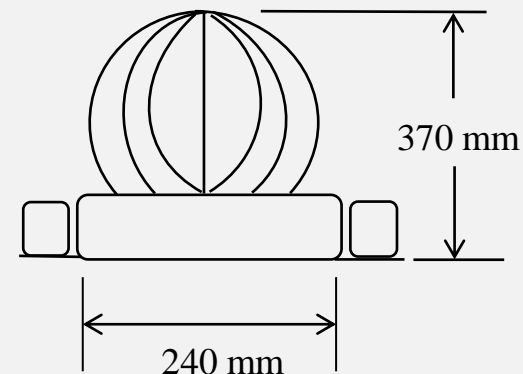


Supply box



AIR EXCHANGE  
HOT SMOKE

- Die cast aluminum structure
- Stainless steel impeller
- Impeller bearing immersed in oil
- Hot smoke aspiration un to 250° 1h
- Weight 5 kg
- **CE** Marking



m <sup>3</sup> /h	V.AC	Watt	IP	Noise level
300	90/264	24	65	35dB

PATENT  
PENDING